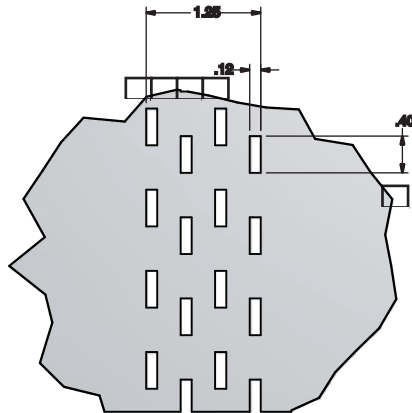
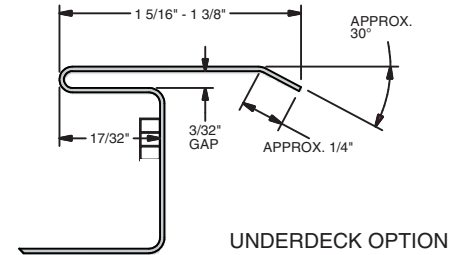
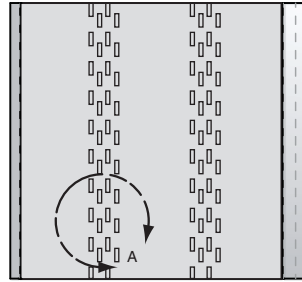


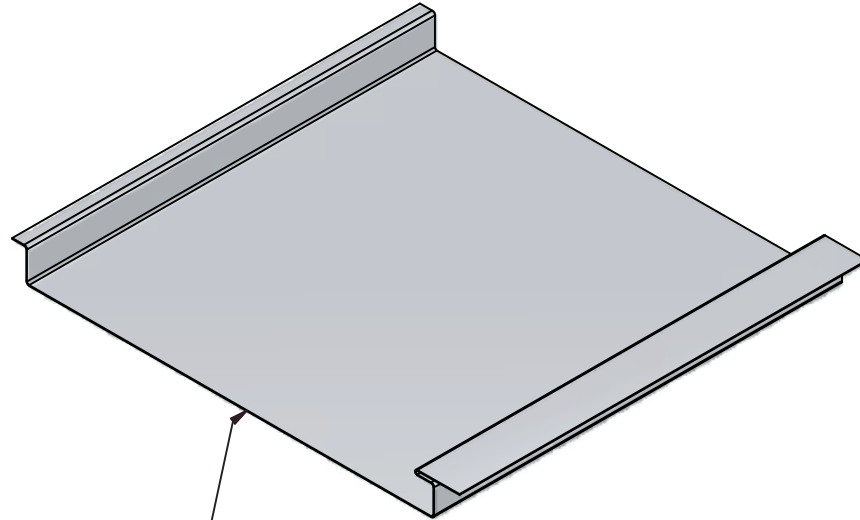
NOTE:

MATERIAL USAGE: 4"

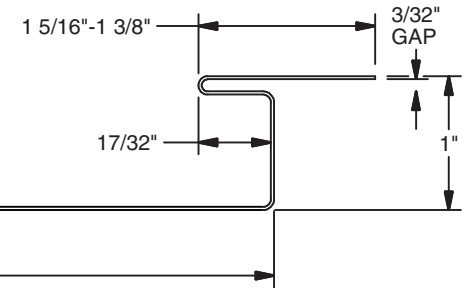
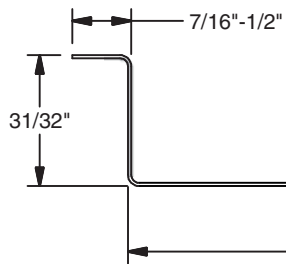
WHEN USING PERFORATOR:
MAXIMUM NET FREE AREA = 2.65 SQUARE INCHES
PER 12 INCHES OF PERFORATION
MAXIMUM OF TWO PERFORATIONS PER PANEL.



PERFORATION DETAIL



PANEL SHOWN WITHOUT PERFORATIONS.



12" & 16" COVERAGE

MSR-FW/S Panel Profile

